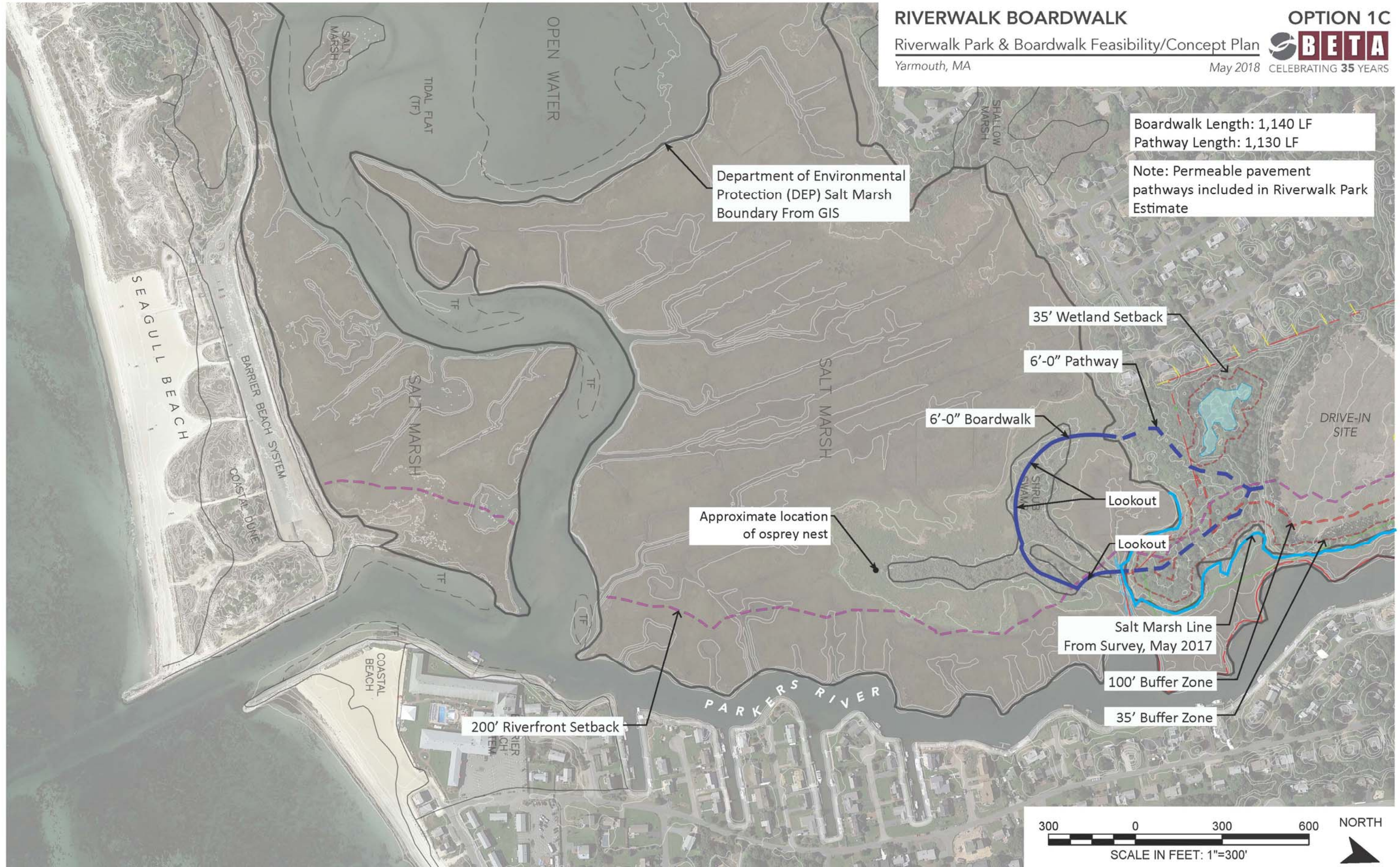
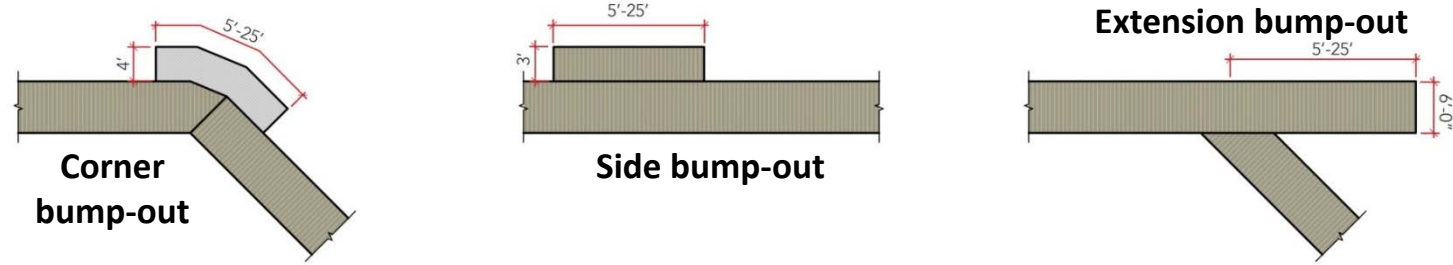


Boardwalk Loop Concept Plan



Boardwalk Amenities

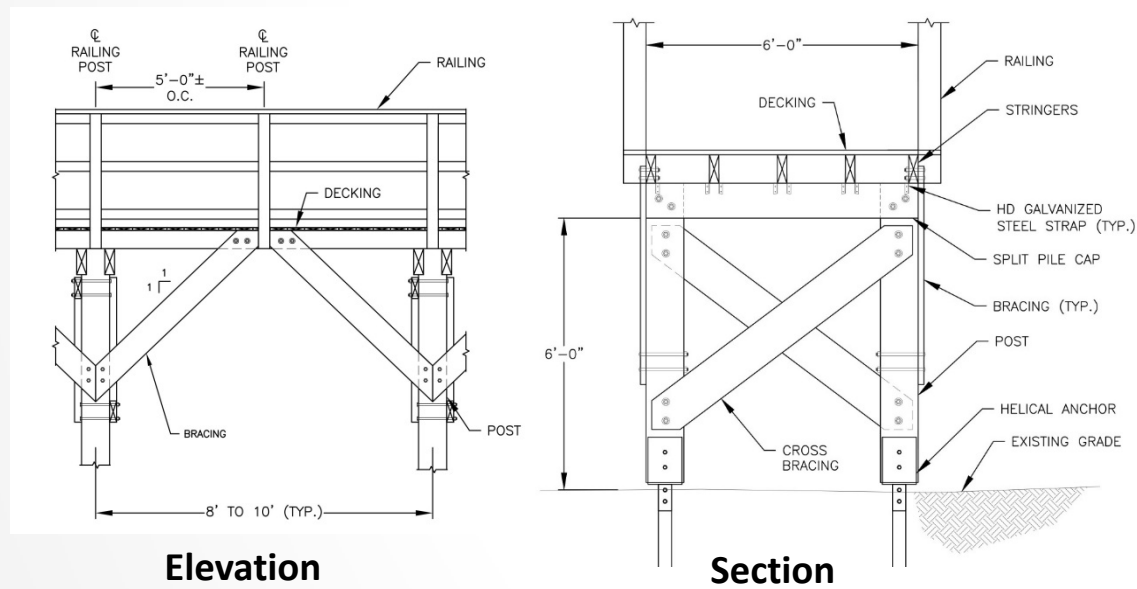


Side bump-out



Extension bump-out

Boardwalk Overlooks



Elevation

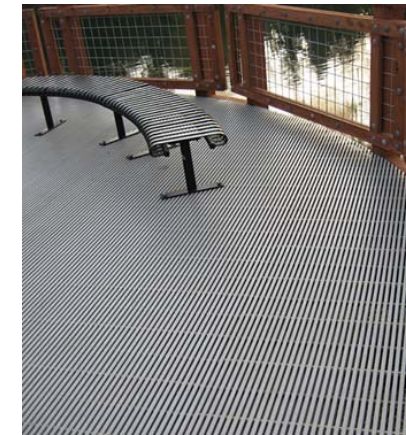
Section



Boardwalk Overlook Interpretation



Raised Boardwalk



Grating at a corner bump-out



IPE – Brazilian Hardwood



Donation naming

Boardwalk Decking Materials



Angled Wooden Railing